

PARTS MANUAL

Models

**EH722
ENGINES**

PUB-EP
Rev. 03/10



SUBARU

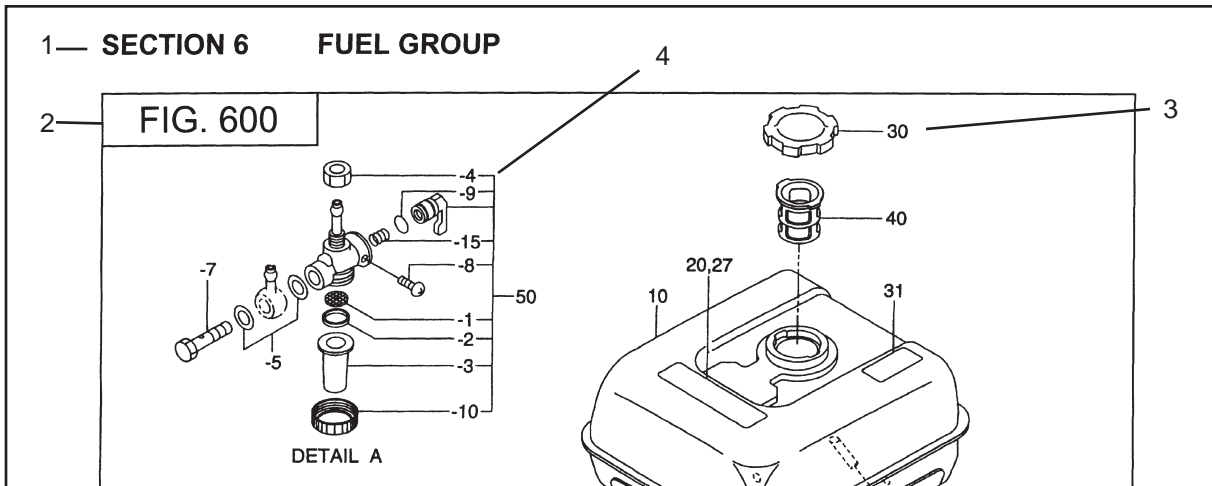
Industrial Power Products

Robin America, Inc.

905 Telser Road, Lake Zurich, IL 60047 • Phone: 847-540-7300 • Fax:847-438-5012
e-mail: sales@robinamerica.com • www.subarupower.com

© Copyright 2010 Robin America, Inc.

MANUAL LAYOUT



REF.	PART NO.	DESCRIPTION	QTY.	REMARKS	FROM-TO	FIG.
10	267-60103-01	FUEL TANK CP	1	YD, YS TYPE, BLACK		600
	267-60101-01	FUEL TANK CP	1	YELLOW		600
27	073-20039-00	LABEL, WARNING	1	YD, YS TYPE		600
30	043-04300-15	FUEL TANK CAP CP	1			600
31	267-95201-03	LABEL, EMISSION	1	YD, YS TYPE		600
40	064-13600-10	FUEL FILTER	1			600
50	064-20021-01	FUEL STRAINER AY	1			600
-1	064-20002-20	FILTER	1			600
-2	064-20002-30	GASKET	1			600
-3	064-20019-10	CUP	1			600

1. SECTION NAME Parts are broadly classified according to their functions. Refer to the Group Index (table of contents) for respective section name.
2. FIG. No. The FIG. number indexes the reference and part numbers to the illustration. Figure numbers that vary only in the tens place (i.e.: 700 and 710) are in a group of the same section (i.e.:Electrical Device Group).
3. REF. No . The Reference number identifies the part illustration with the corresponding part number in the part list.
4. SUBASSEMBLY SUBASSEMBLY parts of part assembly are listed below the assembly part. The subassembly part reference number is indicated by the number led by "-" such as "-1", "-2".
5. PART NUMBER It is the number assigned for sales unit. Use the PART No. when making an order.
6. DESCRIPTION It is designation of the part.
7. QTY. Quantity of each part used for each product.
8. REMARKS This gives a distinctive feature and/or a supplementary comment for the type, the specification, and the part concerned. It also shows part number(s) interchangeable for the part.
9. FROM-TO This section shows the CODE No. to indicate the history of progress in which improved parts have been introduced in the product. The FROM-TO CODE No. helps to identify PART No. being employed in the product concerned. See the examples below:
 - The part is used in the product irrespective of CODE No.
 - 2101- The part is used in the products with CODE No. of 2101 and after this number.
 - 2100 The part is used in the products with CODE No. of 2100 and before this number.

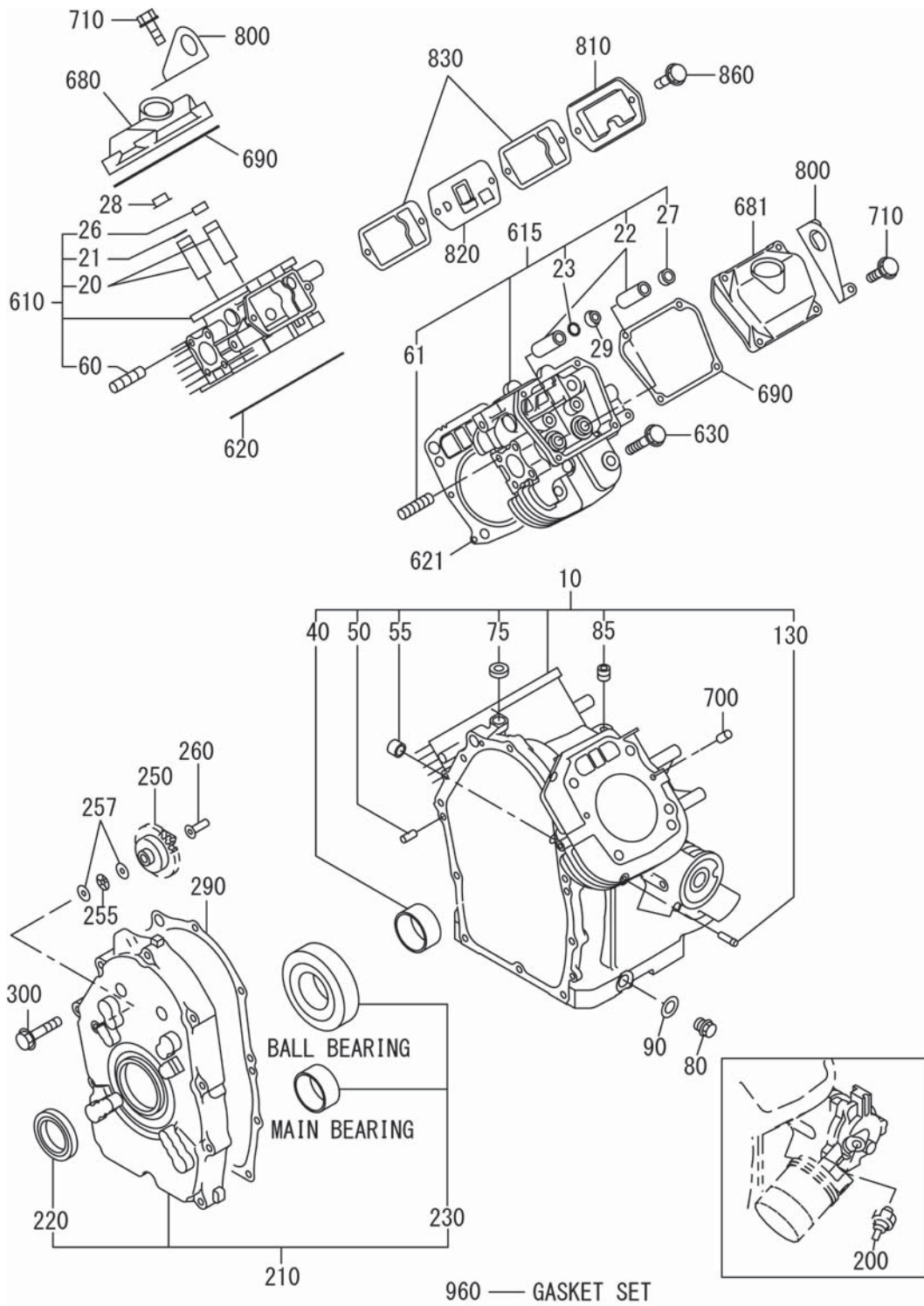
GROUP INDEX

Group Name	Page
CRANKCASE GROUP	6
CRANKSHAFT GROUP	8
INTAKE and EXHAUST GROUP	10
GOVERNOR GROUP	14
COOLING and STARTING GROUP	16
FUEL, LUBRICANT GROUP	18
CARBURETOR GROUP	20
ELECTRIC DEVICE GROUP	24
ACCESSORY GROUP	26

INDEX OF DESCRIPTION SYMBOLS			
SYMBOL	DESCRIPTION	SYMBOL	DESCRIPTION
AY	ASSEMBLY	P=	PITCH (in mm)
CP	COMPLETE	P.T.O. (PTO)	POWER TAKE OFF
EX	EXPORT (from Japan)	REF	REFERENCE
FIG	FIGURE	R.H. (RH)	RIGHT HAND SIDE
FR	FRONT	RR	REAR
"	INCH	STD.	STANDARD
INCL.	INCLUDE	SW	SWITCH
~L	LITER	T=	THICKNESS (in mm)
L=	LENGTH (in. mm)	UN	UNIT
L.H. (LH)	LEFT-HAND SIDE	U.S.	UNDER SIZE
MECH	MECHANICAL	~V	VOLTAGE
NO (NON)	NONE	~W	WATT
OPT	OPTIONAL	W/	WITH
O.S.	OVER SIZE	W/O	WITHOUT

SECTION 1 CRANKCASE GROUP

FIG. 100

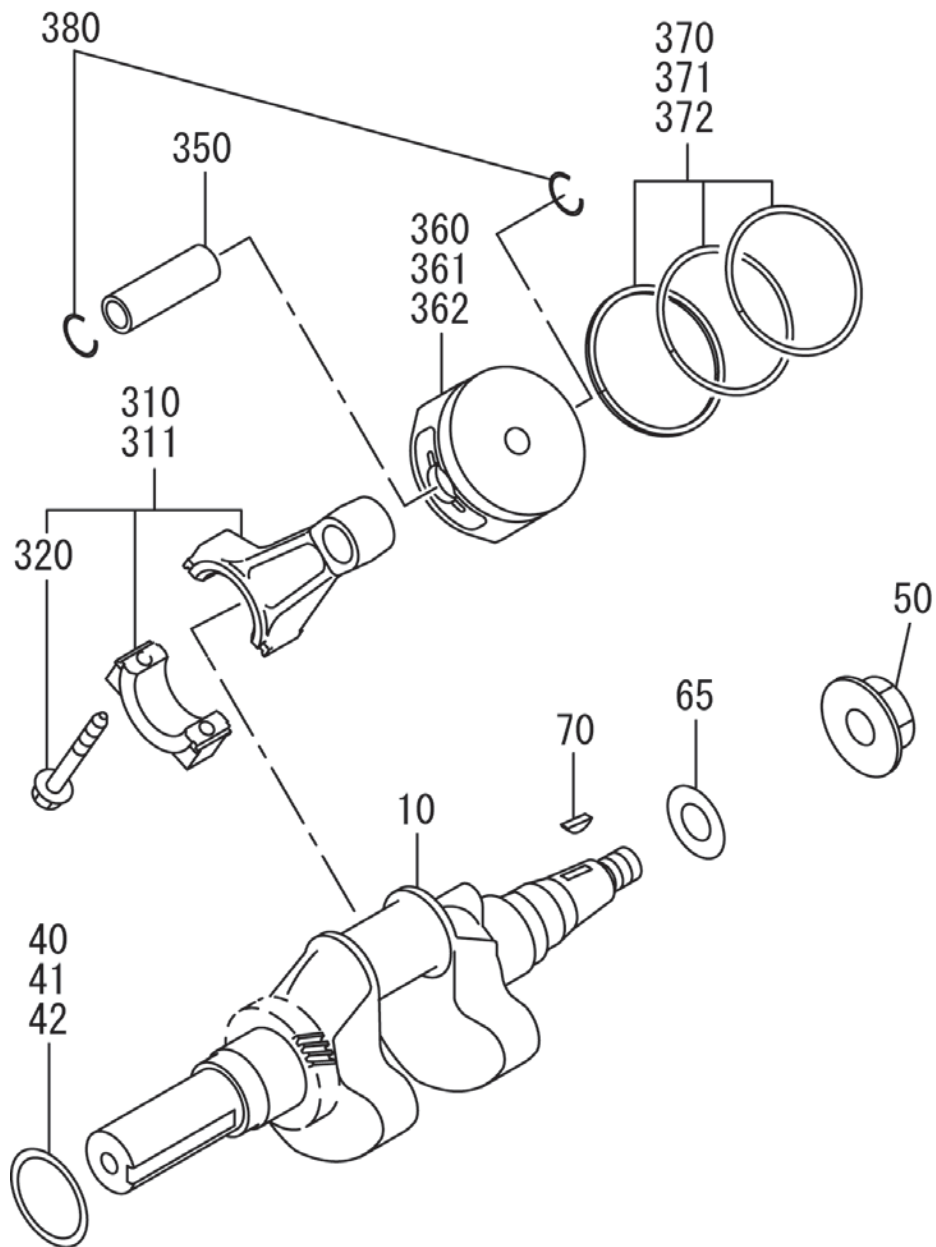


SECTION 1 CRANKCASE GROUP

Ref.	Part Number	Description	Qty	Remarks	To-From	Fig.
10	280-10101-C1	Crankcase Cp	1			100
20	263-14211-03	Valve Guide	2			100
21	056-51000-50	Clip	1			100
22	263-14211-03	Valve Guide	2			100
23	056-51000-50	Clip	1			100
26	132-11AA1-10	Seal, exhaust valve	1			100
27	132-11AA1-10	Seal, exhaust valve	1			100
28	263-35341-03	Retainer Plate	1			100
29	263-35341-03	Retainer Plate	1			100
40	263-15802-03	Main Bearing	1			100
50	X31-00800-80	Dowel Pin	2			100
55	263-55601-03	Pipe	2			100
60	010-50802-90	Stud	4			100
61	010-50802-90	Stud	4			100
75	044-00800-10	Oil Seal	1			100
80	X40-11400-30	Plug	2			100
85	263-15911-A1	Blind Plug Cp	1			100
90	021-11400-20	Gasket	2			100
130	159-65401-03	Pipe, pulse	1			100
200	263-76102-H1	Oil Pressure Switch	1			100
210	263-11004-E1	Main Bearing Cover Cp	1			100
220	044-04200-30	Oil Seal	1			100
230	X60-04500-10	Ball Bearing	1			100
250	263-45001-C1	Governor Gear Cp	1			100
255	263-46215-A3	Thrust Bearing	1			100
257	263-46214-A3	Washer	2			100
260	277-41901-03	Governor Sleeve	1			100
290	263-16002-A3	Gasket, main bearing cover	1			100
300	X11-00802-20	Flange Bolt	10			100
610	20K-13001-A1	Cylinder Head 1 Cp	1			100
615	20K-13101-A1	Cylinder Head 2 Cp	1			100
620	280-15001-13	Gasket 1, cylinder head	1			100
621	280-15101-13	Gasket 2, cylinder head	1			100
630	X11-01000-70	Flange Bolt	8			100
680	280-15501-A3	Rocker Cover	1			100
681	263-15501-A3	Rocker Cover	1			100
690	263-16101-A3	Gasket, rocker cover	2			100
700	X31-00600-20	Dowel Pin	4			100
710	X11-00601-01	Flange Bolt	8			100
800	280-19001-A3	Hook	2			100
810	263-14301-03	Breather Cover	1			100
820	280-14401-A1	Breather Plate Cp	1			100
830	263-16006-03	Gasket, breather plate	2			100
860	X11-00600-30	Flange Bolt	2			100
960	280-99001-17	Gasket Set	1			100

SECTION 2 CRANKSHAFT GROUP

FIG. 200

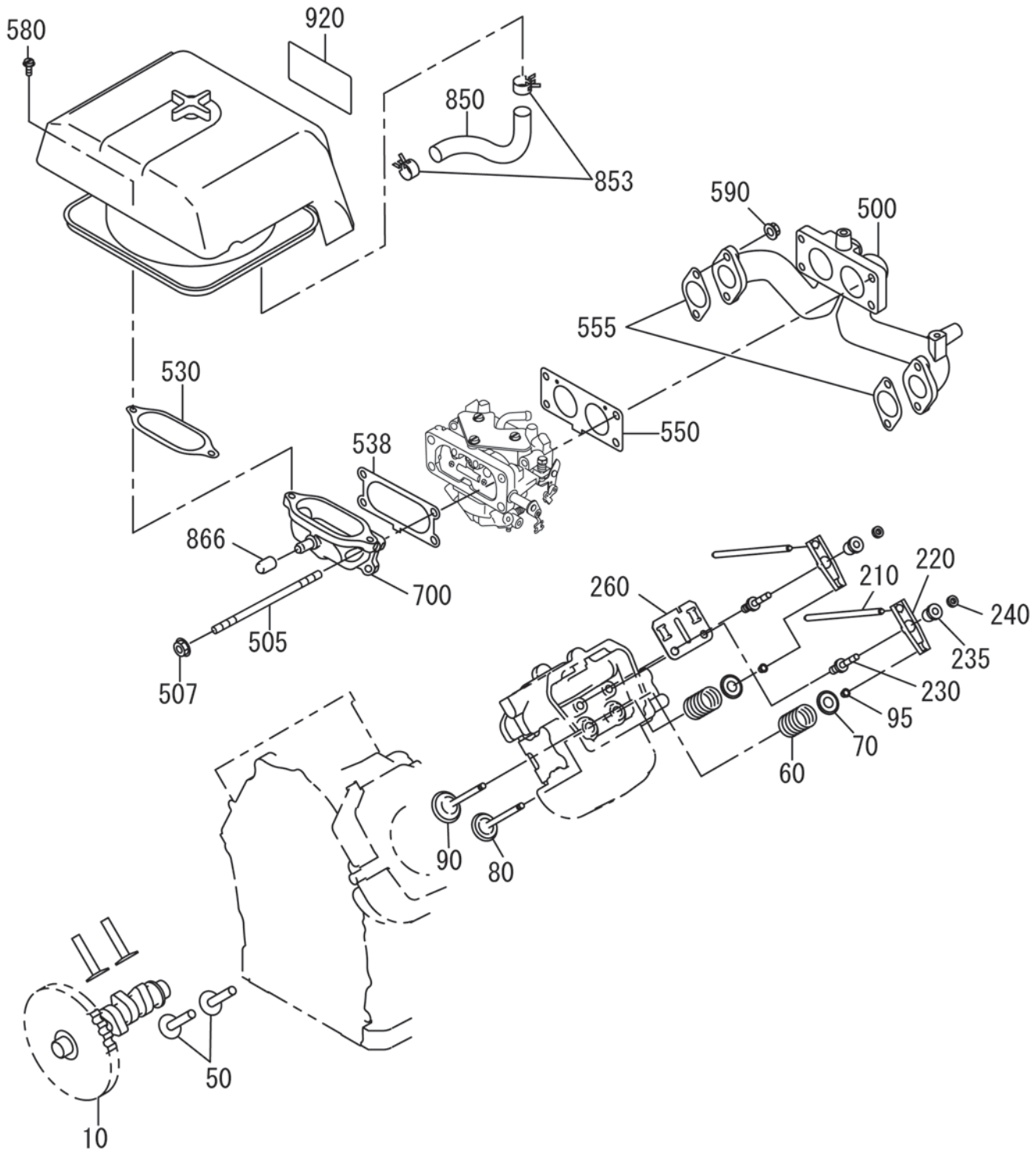


SECTION 2 CRANKSHAFT GROUP

Ref.	Part Number	Description	Qty	Remarks	To-From	Fig.
10	280-21101-C1	Crankshaft Cp	1			200
40	263-25012-A3	Spacer	1			200
41	263-25013-A3	Spacer	1			200
42	263-25014-A3	Spacer	1			200
50	X18-01800-10	Flange Nut	1			200
65	003-10180-00	Washer	1			200
70	005-32054-01	Woodruff Key	1			200
310	263-22601-20	Connecting Rod Ay	2			200
311	263-22602-10	Connecting Rod Ay	2	Undersize 0.25mm		200
320	001-05084-00	Flange Bolt	4			200
350	263-23301-33	Piston Pin	2			200
360	280-23411-H3	Piston	2	Std		200
361	280-23412-H3	Piston	2	Oversize 0.25mm		200
362	280-23413-H3	Piston	2	Oversize 0.50mm		200
370	280-23501-07	Piston Ring Set	2	Std		200
371	280-23502-07	Piston Ring Set	2	Oversize 0.25mm		200
372	280-23503-17	Piston Ring Set	2	Oversize 0.50mm		200
380	056-52100-20	Clip	4			200

SECTION 3 INTAKE and EXHAUST GROUP

FIG. 300

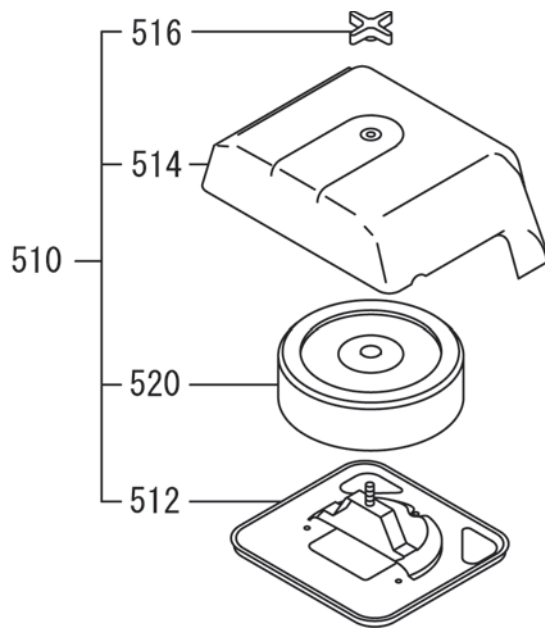


SECTION 3 INTAKE and EXHAUST GROUP

Ref.	Part Number	Description	Qty	Remarks	To-From	Fig.
10	280-31801-03	Camshaft	1			300
50	263-33301-A3	Tappet	4			300
60	246-33611-03	Valve Spring	4			300
70	246-33711-13	Spring Retainer	4			300
80	263-33401-03	Intake Valve	2			300
90	263-33502-13	Exhaust Valve	2			300
95	246-35501-03	Collet Valve	8			300
210	263-35322-A1	Push Rod Cp	4			300
220	267-36102-03	Rocker Arm	4			300
230	263-35801-03	Bolt, pivot	4			300
235	267-35701-03	Pivot	4			300
240	X17-00601-10	Nut	4			300
260	263-37002-A3	Guide Plate	2			300
500	280-33005-H1	Intake Manifold Cp	1			300
505	010-50601-91	Stud	4			300
507	002-38060-00	Flange Nut	4			300
530	280-35622-03	Gasket, cleaner	1			300
538	280-35501-03	Gasket, adapter	1			300
550	280-66202-03	Gasket, carburetor	1			300
555	263-35503-A3	Gasket, intake manifold	2			300
580	X11-00600-20	Flange Bolt	3			300
590	002-38080-00	Flange Nut	4			300
700	280-38001-03	Cleaner Adapter	1			300
850	280-18001-03	Breather Pipe	1			300
853	263-68512-A3	Hose Clamp	2			300
866	X42-30600-30	Cap, vinyl	1			300
920	20K-91701-A3	Label, trademark	1			300

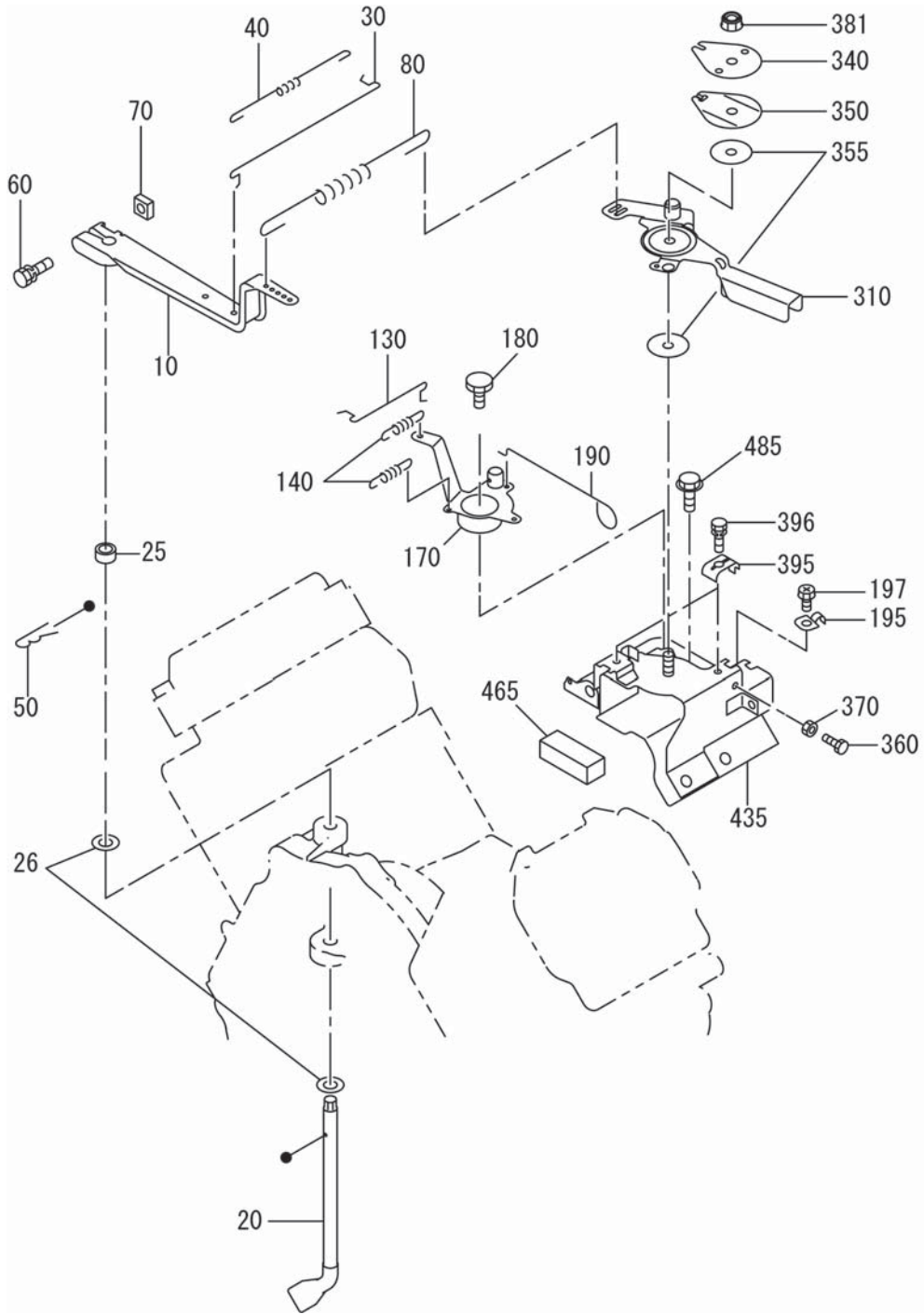
SECTION 3 INTAKE and EXHAUST GROUP

FIG. 330



SECTION 4 GOVERNOR GROUP

FIG. 400

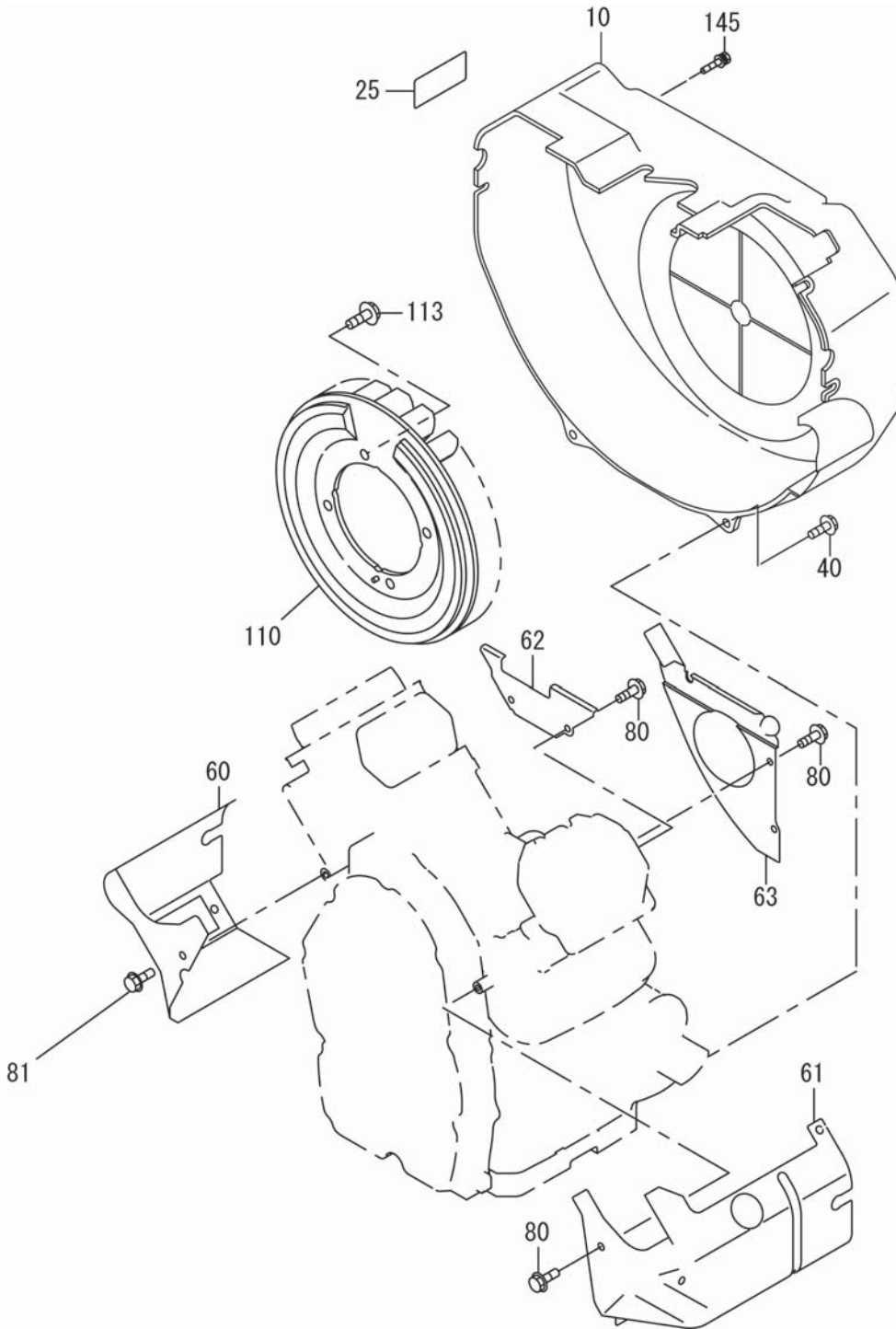


SECTION 4 GOVERNOR GROUP

Ref.	Part Number	Description	Qty	Remarks	To-From	Fig.
10	263-42301-B3	Governor Lever	1			400
20	263-42201-A3	Governor Shaft	1			400
25	X23-00801-50	Spacer	1			400
26	003-10080-00	Washer	2			400
30	20K-42701-A3	Governor Rod	1			400
40	20K-42801-B3	Governnor Rod Spring	1			400
50	005-11060-01	Snap Pin	1			400
60	001-14063-00	Bolt and Washer Ay	1			400
70	X18-60600-20	Nur	1			400
80	263-42501-A3	Governor Spring	1			400
130	280-46011-A3	Choke Control Rod	1			400
140	261-45201-03	Return Spring	1			400
170	280-46001-03	Choke Control Link	1			400
180	226-43101-A1	Link Pivot	1			400
190	263-43901-A3	Choke Knob	1			400
195	263-46010-03	Clamp, choke knob	1			400
197	X15-20500-10	Tapping Screw	1			400
310	20K-43301-A3	Sped Control Lever	1			400
340	227-43501-13	Stop Plate	1			400
350	263-45002-03	Spring Washer	1			400
355	021-70600-30	Friction Washer	2			400
360	X11-50500-20	Bolt	2			400
370	002-27050-00	Nut	2			400
381	X17-60600-20	Self Lock Nut	1			400
395	261-43901-03	Clamp, choke knob	2			400
396	001-17052-00	Bolt and Washer Ay	2			400
435	263-45011-A2	Bracket Un, speed control	1			400
465	X84-14320-00	Rubber Foam	1			400
485	X11-00600-20	Flange Bolt	2			400

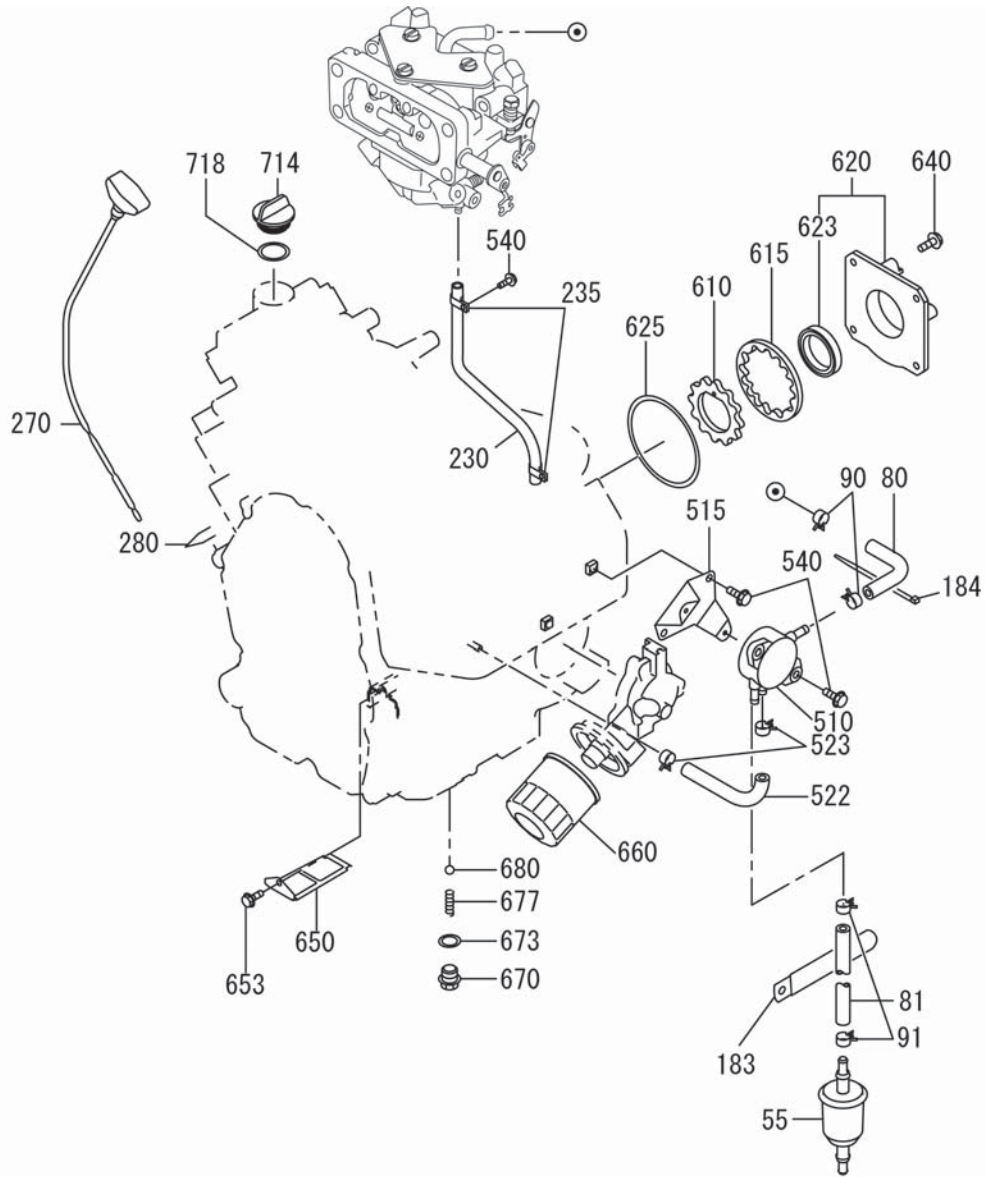
SECTION 5 COOLING and STARTING GROUP

FIG. 500



SECTION 6 FUEL, LUBRICATION GROUP

FIG. 600

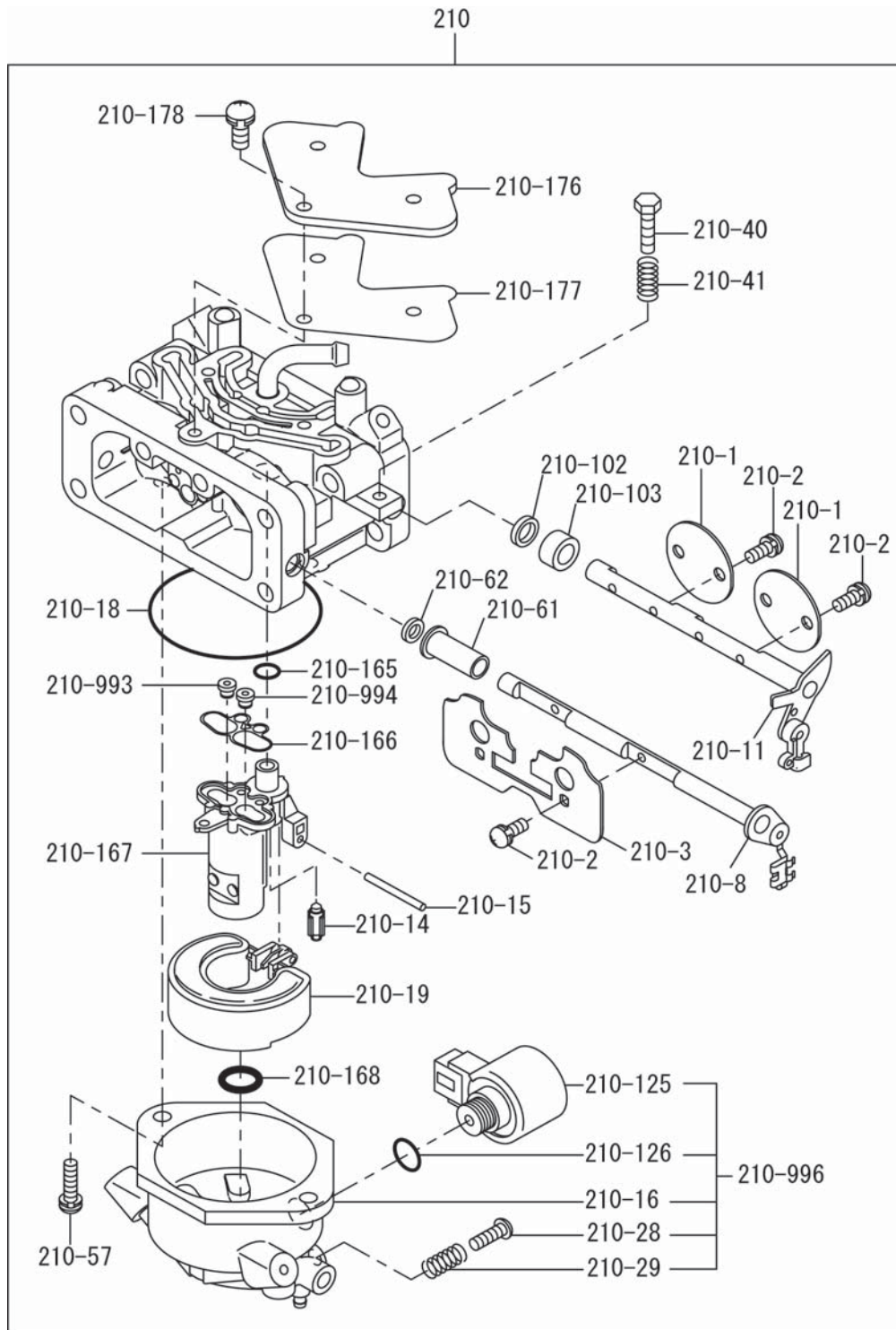


SECTION 6 FUEL, LUBRICATION GROUP

Ref.	Part Number	Description	Qty	Remarks	To-From	Fig.
55	263-65012-A3	Fuel Filter	1			600
80	X85-10615-42	Rubber Pipe	1			600
81	X85-10613-81	Rubber Pipe	1			600
90	263-68501-03	Hose Clamp	2			600
91	263-68501-03	Hose Clamp	2			600
230	085-10301-10	Rubber Pipe	1			600
235	206-75501-A1	Clamp Cp	1			600
270	263-63604-11	Gauge Cp, oil level	1			600
272	263-63622-01	Guide Cp	1			600
280	024-01000-10	O ring	2			600
510	267-62201-10	Fuel Pump Ay	1			600
515	263-65002-A3	Bracket, fuel pump	1			600
522	X85-10616-30	Rubber Pipe	1			600
523	263-68501-03	Hose Clamp	2			600
540	X11-00600-20	Flange Bolt	9			600
610	263-63901-13	Inner Rotor	1			600
615	263-63902-13	Outer Rotor	1			600
620	263-64002-A1	Oil Pump Cover Cp	1			600
623	044-03501-70	Oil Seal	1			600
625	X24-08900-30	O ring	1			600
640	X11-00600-30	Flange Bolt	4			600
650	263-64302-02	Oil Pump Filter Un	1			600
653	263-65011-A3	Flange Bolt	1			600
660	248-65801-00	Oil Filter Ay	1			600
670	X40-11400-50	Plug, oil relief	1			600
673	003-70140-00	Gasket, aluminum	1			600
677	263-66001-03	Spring, relief valve	1			600
680	006-90308-00	Steel Ball	1			600
714	280-63602-A1	Oil Filler Cap Cp	1			600
718	263-64414-A3	O ring	1			600

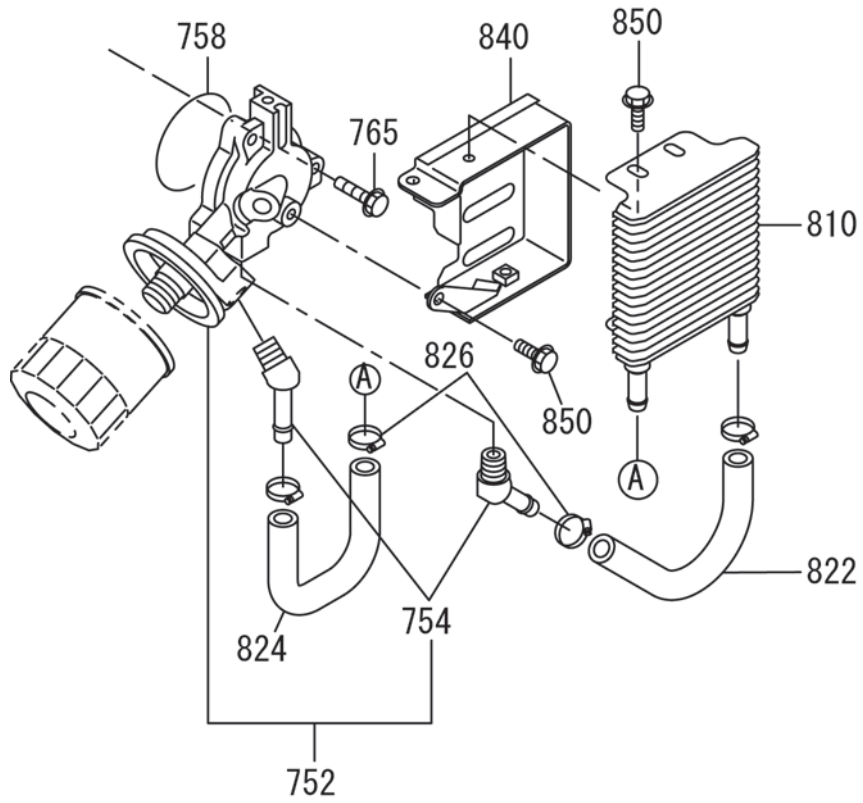
SECTION 6 FUEL, LUBRICATION GROUP

FIG. 640



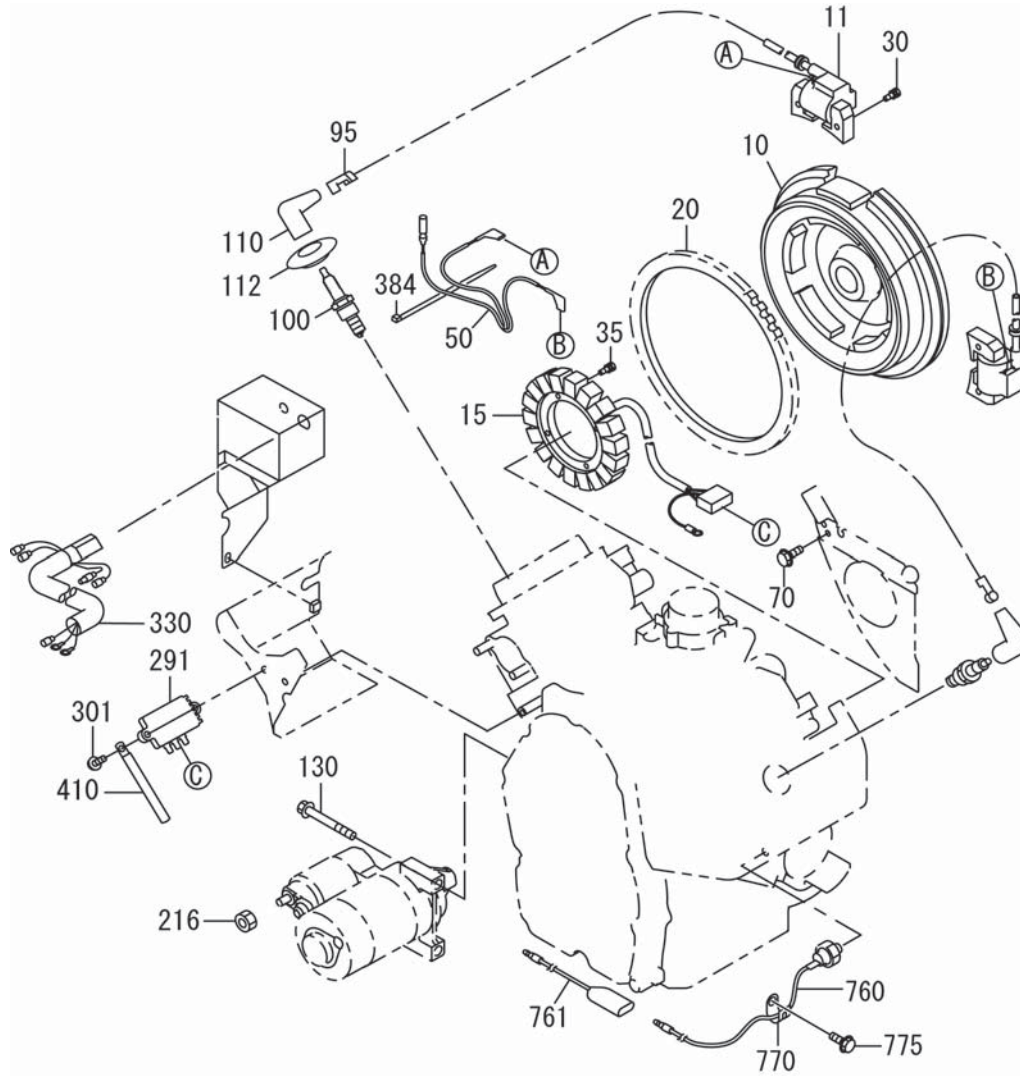
SECTION 6 FUEL, LUBRICATION GROUP

FIG. 685



SECTION 7 ELECTRIC DEVICE GROUP

FIG. 700

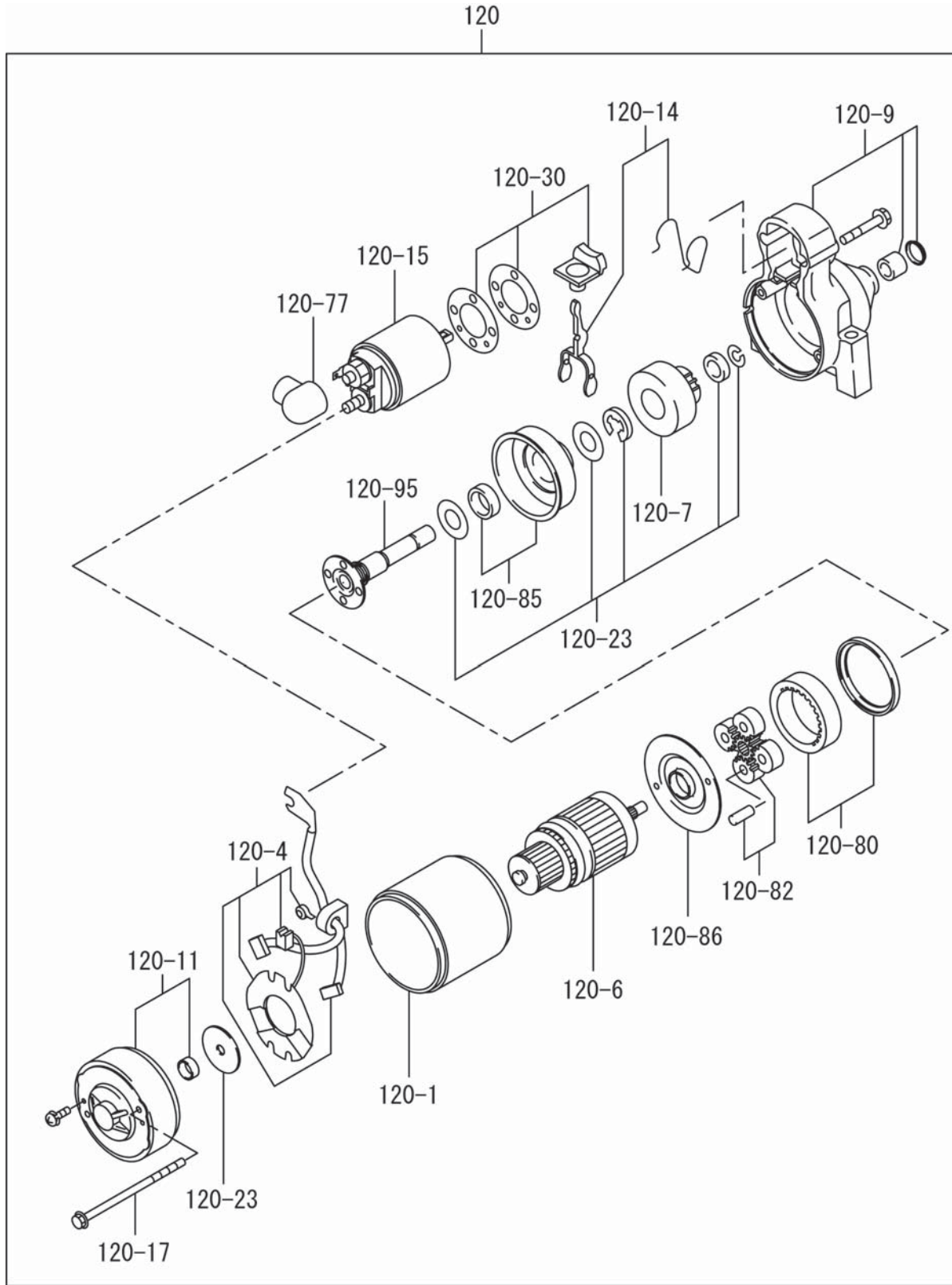


SECTION 7 ELECTRIC DEVICE GROUP

Ref.	Part Number	Description	Qty	Remarks	To-From	Fig.
10	263-77203-11	Flywheel Cp	1			700
11	263-78203-01	Ignition Coil Cp	2			700
15	263-79411-A1	Charge Coil Cp	1			700
20	263-71002-03	Ring Gear	1			700
30	001-14062-50	Bolt and Washer Ay	4			700
35	001-16052-00	Bolt and Washer Ay	4			700
50	263-73126-H1	Wire Cp, ignition coil	1			700
95	X65-91000-10	Plug Terminal	2			700
100	X65-01407-30	Spark Plug	2	NGK BPR4EY		700
110	X65-51000-10	Spark Plug Cap	2			700
112	279-55201-03	Grommet, plug cap	1			700
130	X11-00801-00	Flange Bolt	2			700
216	002-38080-00	Flange Nut	1			700
291	263-71903-A1	Regulator Cp	1			700
301	X11-00601-40	Flange Bolt	2			700
330	280-73101-A1	Wiring Harness	1			700
384	X56-30000-80	Wire Band	3			700
410	056-60002-50	Clamp	1			700
760	263-73102-11	Wire Ay, oil pressure switch	1			700
761	280-73102-01	Wire Cp, fuel cut	1			700
770	206-75501-A1	Clamp Cp	2			700
775	X11-00600-10	Flange Bolt	1			700

SECTION 7 ELECTRIC DEVICE GROUP

FIG. 770



SECTION 7 ELECTRIC DEVICE GROUP

Ref.	Part Number	Description	Qty	Remarks	To-From	Fig.
120	263-70503-00	Starting Motor Ay	1			731
-1	263-70561-08	Yoke Ay	1			731
-4	245-70503-08	Brush Holder Ay	1			731
-6	263-70512-08	Armature Ay	1			731
-7	263-70522-08	Pinion Ay	1			731
-9	263-70503-08	Gear Case Cy	1			731
-11	263-70507-08	Rear Cover Ay	1			731
-14	245-70518-08	Shift Lever Set	1			731
-15	263-70515-08	Magnetic Switch Ay	1			731
-17	207-70524-08	Through Bolt	2			731
-23	245-70516-08	Washer Stopper Set	1			731
-30	245-70520-08	Dust Cover Kit	1			731
-77	207-70526-08	Rubber Cap	1			731
-80	263-70596-08	Internal Gear	1			731
-82	263-70576-08	Planet Gear	3			731
-85	245-70509-08	Center Bracket, P	1			731
-86	263-70591-08	Center Bracket, A	1			731
-95	263-70571-08	Pinion Shaft	1			731

PRINTED IN THE USA

Robin America, Inc

905 Telsler Road • Lake Zurich, IL 60047
Phone: 847-540-7300 • Fax: 847-438-5012
e-mail: sales@subarupower.com • www.subarupower.com